

## Features

ICU TechnoPlus has been conceived with a 2 rectangular elevation columns system, which provides the bed better stability and durability.

The columns use also facilitates the bed cleaning, the number of structure pieces is reduced and therefore the infection probability is reduced as well.

TechnoPlus has also an integrated weighing system that allows the tracking and monitoring of the patient condition.

- Helps and encourage the patient comfortability stay due to:

Double regression system, it reduces the pressure in the thorax area, minimizing the pressure ulcers risk (PU's) (165 mm ± 10 mm).

X-ray ready because of its radio transparent backrest.

Protection against the growth and spread of bacteria.

Foot section positioning system in different angles by a hinge.

- Simply and intuitive handling:

The battery has the function to allow us to use all the beds characteristics even when there is not a power socket near.

Centralized braking system by a braking bar located in the footboard area.

- Other improvements:

IP66 linear actuators.

250 Kg. maximum safety load.

4 protection cylinders in each corner.

HPL hand removable bed base divided in 4 sections. Like the bed, it is easy to clean, with great protection against the growth and spread of bacteria.

Extensible bed base, up to 30 cm.

Polypropylene made side rails with grip zone and folding system by gas spring.

It has an easy to remove headboard and footboard with blockage system.

Furthermore, TechnoPlus bed has a wide range of accessories and complements that enable to comply with all the needs of a hospital room and intensive care units.



# TechnoPlus Bed

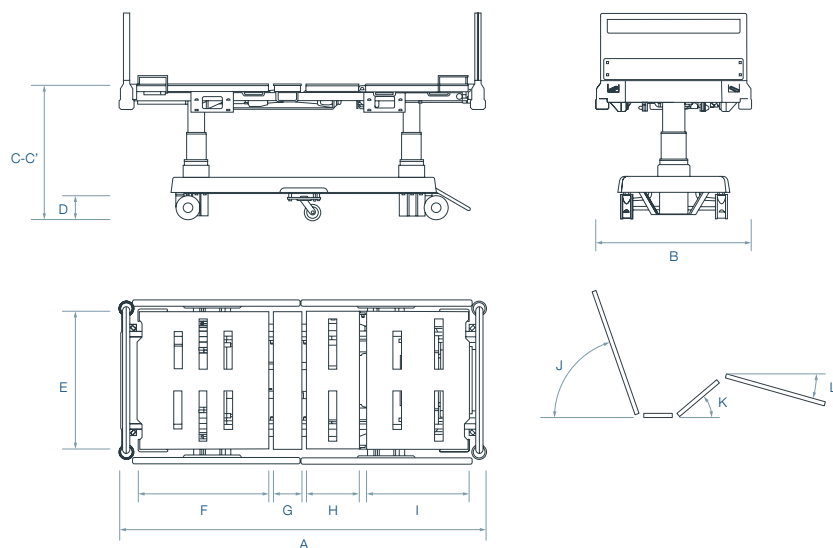


## Technical information

Total length with headboard and footboard (A) *	2200 mm. ± 10 mm.
Total width with rails (B)	970 / 1010 mm. ± 10 mm.
Minimum/maximum bed base height (without mattress) (C y C') **	420 / 820 mm. ± 10 mm.
Extremities section extensible length	300 mm.
Crane passing clearance height (D) **	170 mm.
Bed base section length (F, G, H e I)	790 / 170 / 320 / 620 mm.
Bed base section width (E)	830 mm.
Wheels diameter	150 mm.
Backrest tilting angle (J)	70° ± 5°
Extremities and feet tilting angle (K y L)	45° / 18° ± 2°
Bed base sections double regression	165 mm. ± 10 mm.
Trend / Reverse Trend position angles	16° / 18° ± 2°
Maximum patient weight (MPW)	205 kg.
Safety weight load (SWL)	250 kg.
Bed unladen weight	140 kg.

\* The length of the bed in the headboard anchored option is 2240 mm. ± 10 mm.

\*\* This heights can vary ± 40 mm. according to the bed configuration (wheels model, etc)



## Electrical information

Lifting system	By 2 columns
Backrest lifting system	By linear motor
Extremities lifting system	By linear motor
Voltage and frequency	230 V / 50 - 60 Hz
Electric shock protection / liquid penetration	Class II / Type B / IP66
Maximum consumption	Max. 3 15A (maximum 400 W)
Motor intermittent operation	10% 2 min. - 18 min.

## Standard

Controls	Protection	Transport	Wellness	Others	Accessories
Patient control	Full length rails	Ø150mm double covered wheels	Lifting feet rastomat	Battery	IV Pole
Nurse control	Removable headboard	Centralised braking	Under bed lighting	Trapeze bar	Table under footboard
Railing membranes					

## Optional

Controls	Protection	Transport	Wellness	Others	Accessories
Lifting pedal	Anchored headboard	Ø150mm simply integral	Lifting feet spring	Brake alarm	X-ray cassette tray
		5 <sup>th</sup> wheel		Weight scale	Tilttable table
		Brake pedal			Tank holder
					Balkan frame