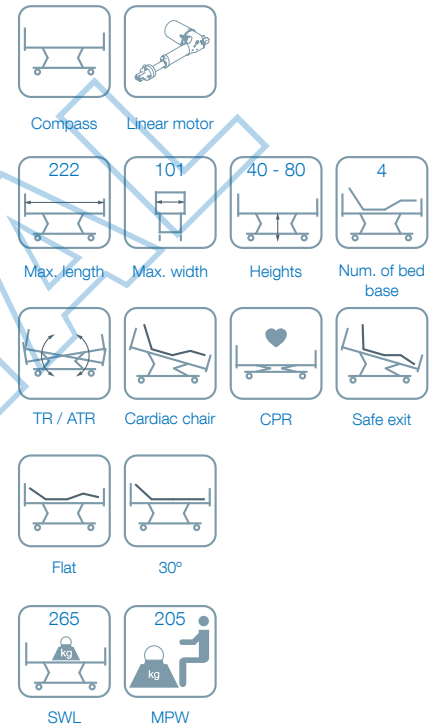


NewCareV3 Bed



Features

Complete electric and articulated bed; easy and friendly use, it is seeking welfare and patient comfortability.

Some of its main characteristics are:

- For easy transport:

Light weight, with high rolling, wear and rust resistance. It has a minimum noise emission whilst moving. Optionally it can have a shock-absorbing, antistatic and directional fifth wheel.

Centralized braking system by a braking bar located in the footboard area.

- Easy and intuitive handling:

Depending on the bed options, the bed can have a wired control for the patient and another with function blocking and pre-programmed functions for the nursing staff, as well as membranes in the bed side rails.

The bed has a battery in case the main power fails or the bed is unplugged. It allows to do more than 300 complete movements.

- Encourage the patient welfare due to:
 - X-ray transparent backrest section, X-ray ready.
 - Extensible bed base, up to 30 cm.

Double regression system, it reduces the pressure in the pelvic area, way to decrease the pressure ulcers risk (165 mm).

It has a feet positioning system to place the patient feet in several angles.

New pre-programmed positions to ensure the patient welfare (safe exit, 30° backrest, etc).

- Other improvements:

HPL hand removable bed base divided in 4 sections. Like the bed, it is easy to clean, with great protection against the growth and spread of bacteria.

Polypropylene made side rails with grip zone and folding system by gas spring. All to facilitate sitting up and getting out the bed.

It has an easy to remove headboard and footboard with blockage system.

Linear actuators with IP66 protection.

Cylindrical side guards on all four corners avoids the shocks, minimize impacts and bed deterioration.

Totally customizable vinyls.

Furthermore, Newcare bed has a wide range of accessories and complements that enable to comply with all the needs of a hospital room and intensive care units.



NewCare V3 Bed

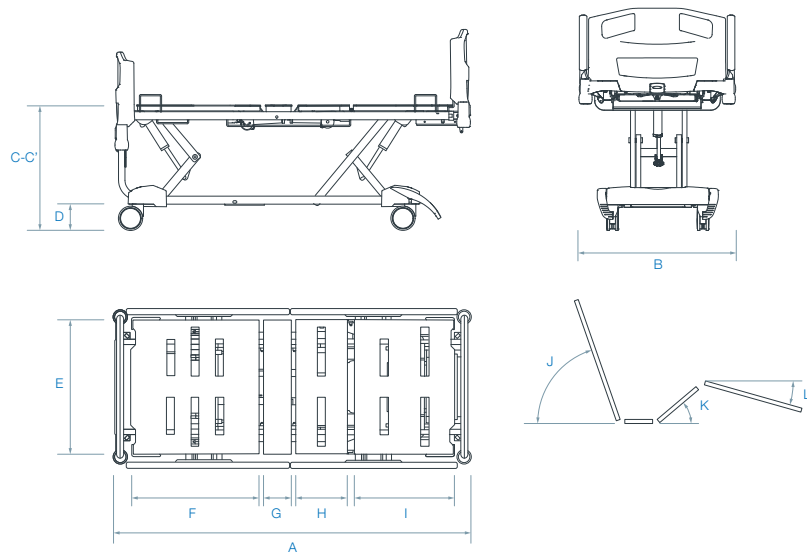


Technical information

Total length with headboard and footboard (A)	2220 mm. ± 10 mm.
Total width with rails (B)	1010 mm. ± 10 mm.
Minimum/maximum bed base height (without mattress) (C y C') **	400 / 800 mm. ± 10 mm.
Extremities section extensible length	300 mm.
Crane passing clearance height (D) **	170 mm.
Bed base section length (F, G, H e I)	790 / 170 / 320 / 620 mm.
Bed base section width (E)	830 mm.
Wheels diameter	150 mm.
Backrest tilting angle (J)	70° ± 5°
Extremities and feet tilting angle (K y L)	45° / 18° ± 2°
Bed base sections double regression	165 mm. ± 10 mm.
Trend / Reverse Trend position angles	13° / 15° ± 2°
Maximum patient weight (MPW)	205 kg.
Safety weight load (SWL)	265 kg.
Bed unladen weight	140 kg.

* With optional brake discs, external dimensions of the bed decrease ± 20 mm.

** This heights can vary ± 40 mm. according to the bed configuration (wheels model, etc)



Electrical information

Lifting system	By linear motors
Backrest lifting system	By linear motor
Extremities lifting system	By linear motor
Voltage and frequency	230 V / 50 - 60 Hz
Electric shock protection / liquid penetration	Class II / Type B / IP66
Maximum consumption	Max. 3 15A (maximum 400 W)
Motor intermittent operation	10% 2 min. - 18 min.

Standard

Controls	Protection	Transport	Wellness	Others	Accessories
Patient control	Full length rails	Ø150mm simply integral	Lifting feet spring		IV Pole
	Removable headboard	Centralised braking			Trapeze bar
					Table under footboard

Optional

Controls	Protection	Transport	Wellness	Others	Accessories
Nurse control	Anchored headboard	Ø150mm double covered wheels		Brake alarm	X-ray cassette tray
Railing membranes		5 th wheel		Under bed lighting	Tilttable table
Lifting pedal		Brake pedal		Battery	Balkan frame