

NewCartago Armchair



Features

The armchairs are specially design to be used in hospitals, clinics, nursing homes and also in home care.

Their easy to use makes it robust and resistant for extensive uses.

The armchair is made of a tubular steel structure with polyester coating, with upholstered seat, backrest and footrest sections with multiple colour options.

The armchair is articulated in two sections by levers located in both sides, driven by gas spring to raise and low the backrest and footrest.

It also has foldable armrest to allow side access.

Depending on the intended user several configurations are available based on the quantity of wheels it has or the accessories can be placed in it.

Options:

For patient use, it can integrate 2 or 4 wheels, pushing and carrying handle, table, tank holder, IV pole and footrest.

For companion use, no wheels or other element will be necessary.



Gas spring



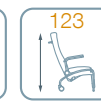
Ø Wheels



Max. length



Max. width



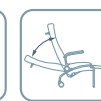
Total height



Seat height



Seat depth



Backrest tilt



MPW



UNGA-BO-001
UNGA-BO-1488
UNGA-BO-1493
ER-0447/2015
GS-0011/2015
GA-2015/0182



ER-0447/2015



GS-0011/2015



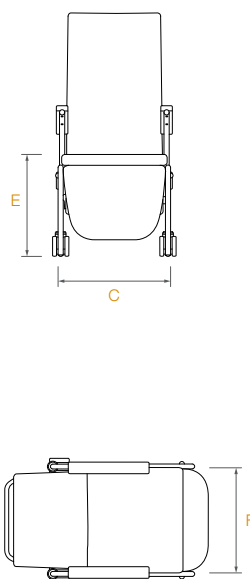
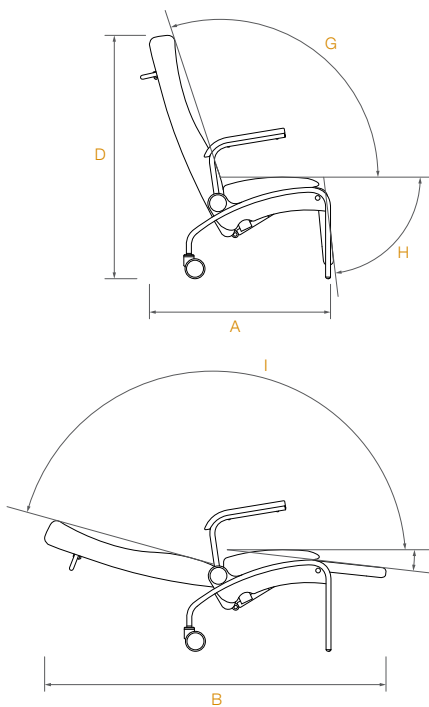
GA-2015/0182



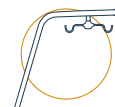
NewCartago Armchair

Technical information

Total length (seated position) (A)	850 mm.
Total length (tilted position) (B)	1610 mm.
Total width with armrests (C)	605 mm.
Total width (D)	1235 mm.
Seat height (E)	490 mm.
Seat width (F)	520 mm.
Backrest tilting angle (relative to the seat back) (G)	118°
Extremities tilting angle (relative to the seat back) (H)	88°
Maximum backrest tilting angle (relative to the seat back) (I)	155°
Maximum extremities tilting angle (relative to the seat back) (J)	9°
Armchair weight	24 kg.
Maximum patient weight (MPW)	135 kg.



Accessories



IV Pole



Tank holder



Side table

Upholstery

Silvertex



Valencia



Companion versión with legs

- 4 legs.
- Without handle.
- Without accessories.



Patient versión with two wheels

- 2 wheels.
- 2 wheels Ø 100 mm.
- With handle.
- Optional accessories.



Patient versión with four wheels

- 4 wheels Ø 100 mm
- With handle.
- With footrest.
- Optional accessories.