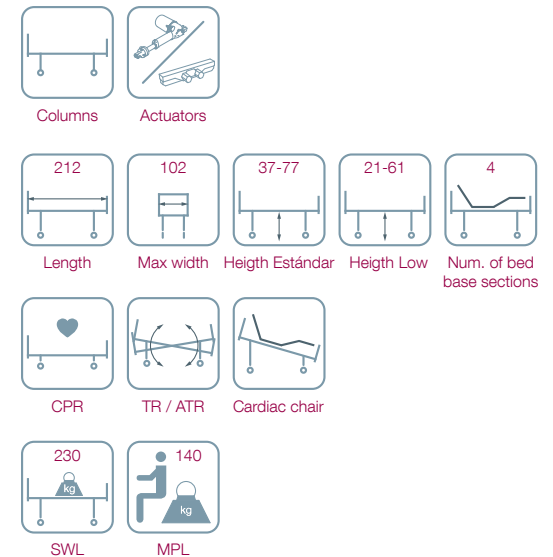


# Trend Estándar / Trend Low Bed



## Features

Trend bed is an electrically operated bed divided into four articulated planes, designed for Alzheimer patients. The minimum height offers greater safety to the user, minimising harm in the event of an accidental fall.

The free space under the bed simplifies cleaning and makes it easier to handle hoists.

- Control with pre-programmed positions and magnetic key to block functions.
- German-engineering with IP44 protection rating that ensures greater protection against liquids and dust.
- Bed base made of 17 steamed slats on PVC cleats.
- Bows to hold the mattress in place.
- Holders for support handle and drip support on both sides. Polyamide-coated to prevent noise and rusting.
- All moving parts meet anti-trapping standards, UNE-EN-ISO 60601-2-52.
- Maximum patient weight (MPW): 140 kg.
- Safe working load (SWL): 230 kg.
- System with a range of elevation from 21 to 61 cm.
- Four dual-tread wheels (Ø75 mm) with independent brake.
- Continuous wooden siderails with anti-noise protection.
- Electric TR/ATR.

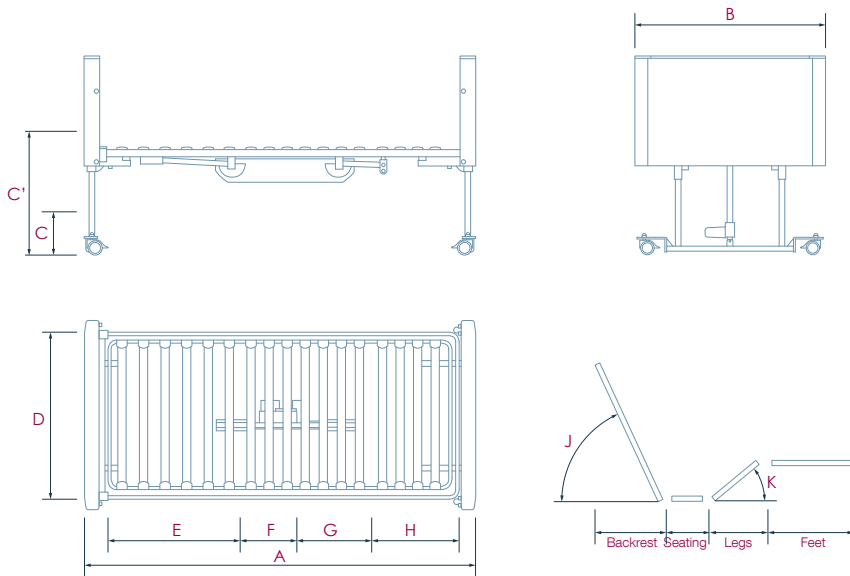


# Trend Estándar / Trend Low Bed



## Technical Information

Total length with headboard and footboard (A)	2120 ± 5 mm.
Total width with rails (B)	1020 ± 5 mm.
Minimum rest surface height (Estándar/Low) (C)	370 / 210 ± 5 mm
Maximum rest surface height (Estándar/Low) (C')	770 / 610 ± 5 mm.
Minimum bed base height (Estándar/Low)	880 / 720 ± 5 mm.
Maximum bed base height (Estándar/Low)	1280 / 1120 ± 5 mm.
Bed base section length (E / F / G / H)	700 / 320 / 380 / 450 mm.
Bed base section width (D)	900 mm.
Backrest tilting angle (J)	72° ± 3°
Legrest tilting angle (K)	33° ± 3°
Trendelenburg / Anti-trendelenburg	11,5° / 11,5° ± 2°
Bed unladen weight	115 kg.
Maximum patient weight (MPW)	140 kg.
Safety weight load (SWL)	230 kg.
Recomended mattress dimensions	900 x 1900 x 140 mm.



## Electrical information

Lifting system	By linear motor
Backrest and legrest lifting system	By compact motor
Voltage and frequency	230 V / 50 - 60 Hz
Electric shock protection / liquid penetration	Class II / Type B/ IPX4
Motor intermittent operation	10% 2 min. - 18 min.

## Trend Estándar

Controls	Protection	Transport	Wellness	Others	Accessories
Patient control with key	Wooden rails	Ø100 mm with independent brake	Slats bed base		IV Pole
				Headboard and footboard with siderail guides	Trapeze Bar

## Trend Low

Controls	Protection	Transport	Wellness	Others
Patient control with key	Wooden rails	Ø75 mm with independent brake	Slats bed base	
				Lower headboard and footboard with siderail guides

## Optional

Controls	Protection	Transport	Wellness	Others
Nurse blocking control	Tubing rails	Splitted bed base	HPL bed base	
				Headboard and footboard without guides